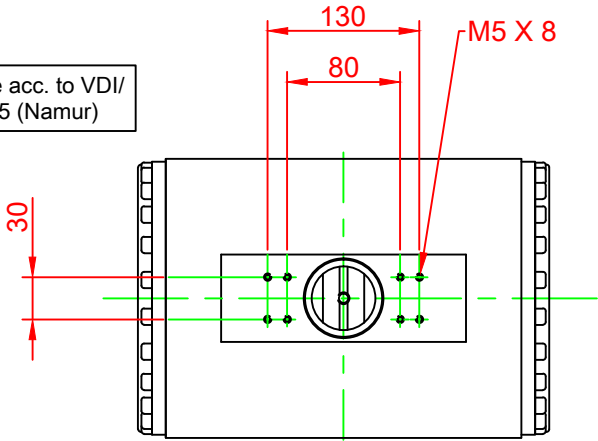
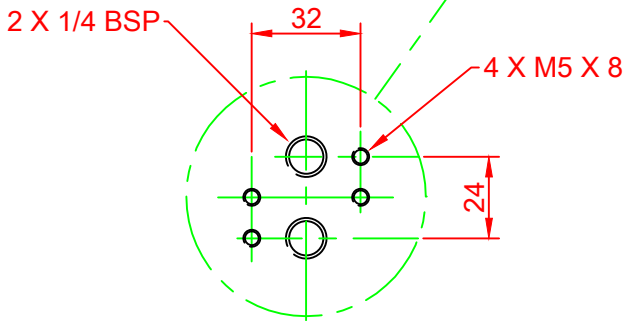
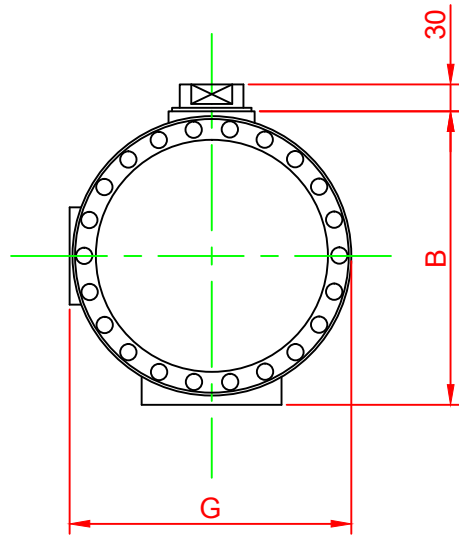
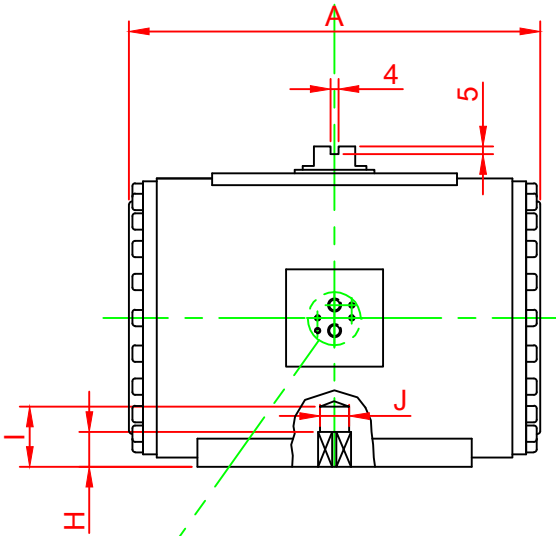
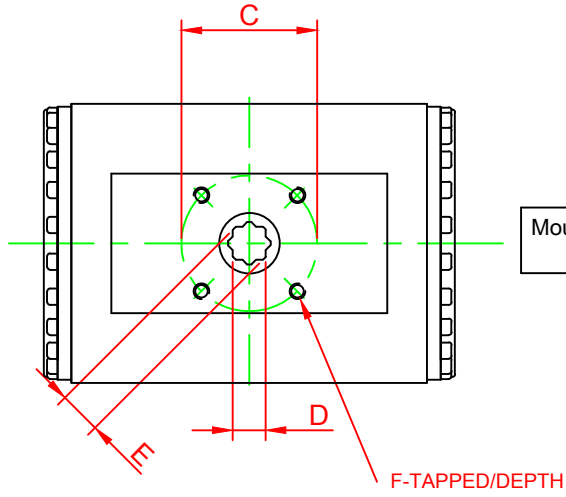


Top Flange acc. to VDI/  
VDE 3845 (Namur)



Mounting Flange & Square  
Drive to ISO5211



Solenoid Flange acc. to  
VDI/VDE 3845 (Namur)

K/KM	250	360	500	750
A	418	428	543	570
B	373	373	419	505
C	140	165	165	254
D	36	36	55	55
E	48.2	48.2	72.2	72.2
F	M16/24	M20/30	M20/30	M16/24
G	366	366	415	466
H	51	39	79	79
I	55	57	127	127
J	40	40	60	60