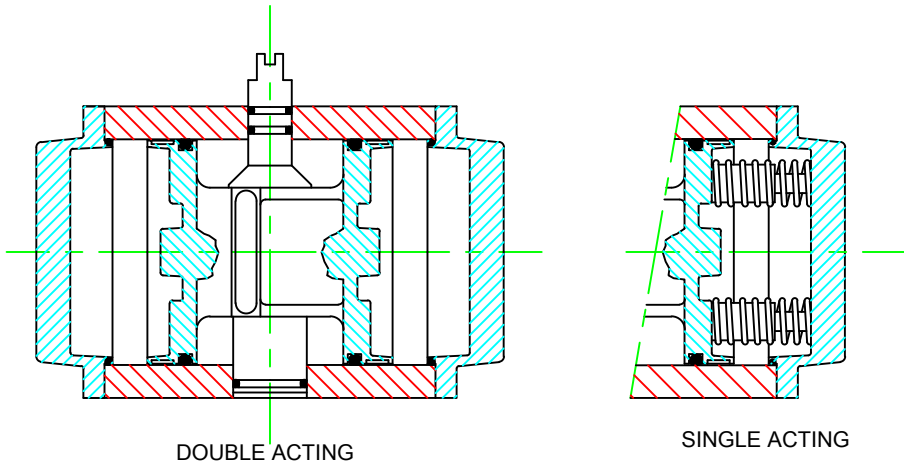




PED approval



DOUBLE ACTING

SINGLE ACTING

Description:

The Quifer ductile iron pneumatic actuator is manufactured from nodular ductile iron (GGG-40) with a corrosion protection system suited to the most severe applications.

Both body and end caps are nickel plated then finished with a high build polyurethane paint.

Drive shafts can be supplied in stainless steel or nickel plated carbon steel. The standard specification also includes pistons manufactured in cast iron.

Specification:

- Working Pressure : Double Acting : 1 to 8 bar
Single Acting : 3 to 8 bar
- Air supply : Air or non-corrosive gas (ie. Nitrogen)
- Working Temperatures : From -20° to +100°C (Option available for -65°C to +180°C)
- Lubrication : Lubricated for normal working life
- Rotation : Anti-clockwise opening
To reverse actuator rotation, invert pistons
- Movement : Rotation 90°
- Finish : Body and end caps are nickel plated, then painted with black polyurethane.
- Certification Available : ATEX, PED, CE

ACTUATOR		AIR VOLUME/STROKE (LITRES)		OPERATING TIME AT 6 BAR (SECS)			WEIGHT (KG)	
		OPENING	CLOSING	DOUBLE ACTING	SINGLE ACTING		DOUBLE ACTING	SINGLE ACTING
					OPENING	CLOSING		
K-12DI	KM-12DI	0.55	0.48	<1	1	<1	11	12
K-30DI	KM-30DI	1.01	1.20	2	2	1	17	22
K-60DI	KM-60DI	2.55	2.48	3	5	3	32	39
K-140DI	KM-140DI	4.71	4.40	5	8	6	64	83
K-250DI	KM-250DI	9.00	10.7	7	12	7	115	147
K-360DI	KM-360DI	13.3	14.6	12	18	11	197	237
K-500DI	KM-500DI	21	26	15	23	15	256	280
K-750DI	KM-750DI	30	35	23	33	23	416	442