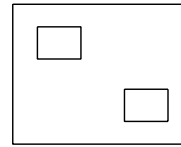
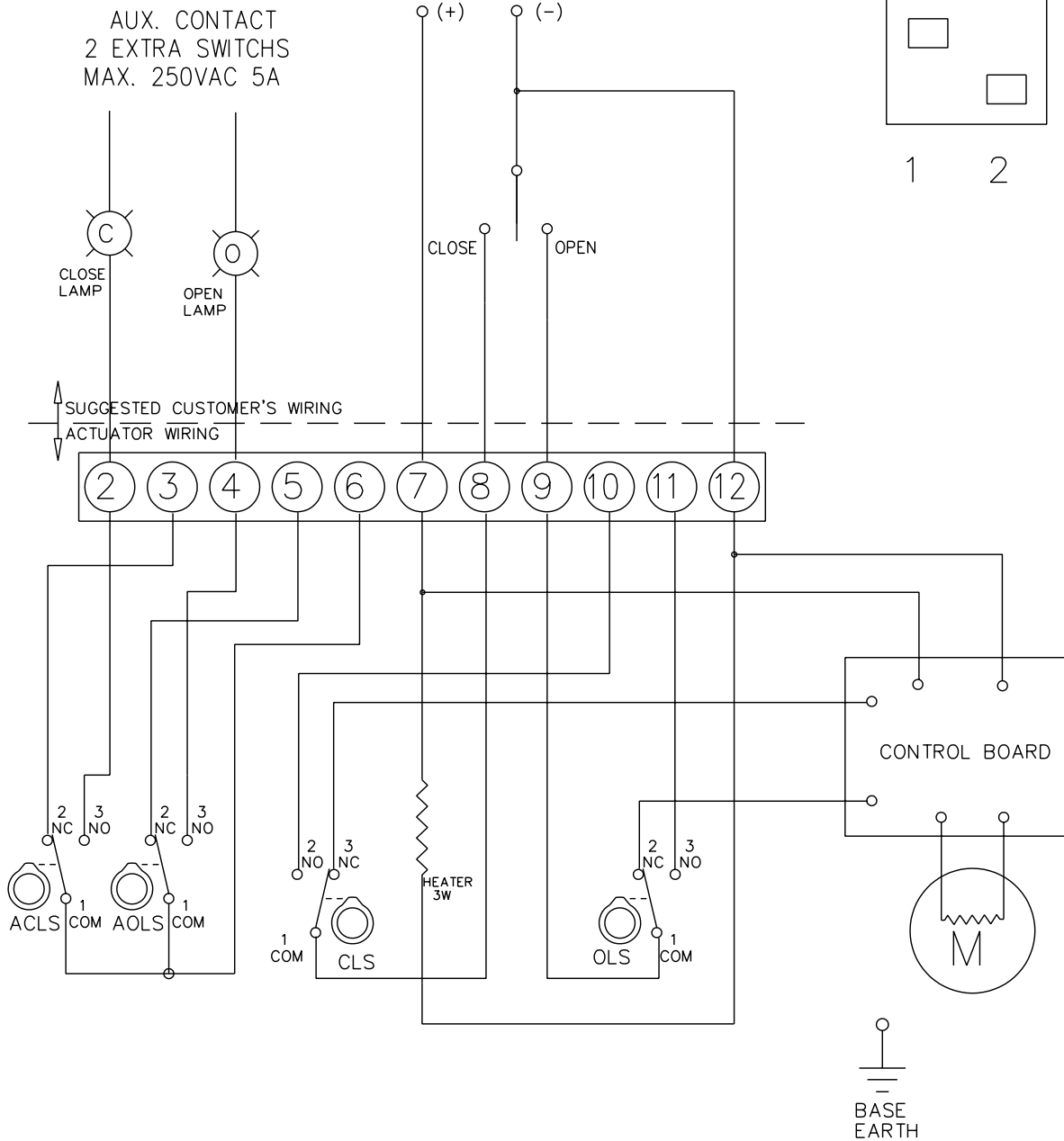


DIP SWITCH SETTING



1 2

DC (24 V)



TORQUE AND LIMIT SWITCH OPERATION

SWITCH	CLOSE ←	INTERMEDIATE	→ OPEN
CLS 1-2			
CLS 1-3			
OLS 1-2			
OLS 1-3			

SYMBOL	DESCRIPTION	RATING
CLS	CLOSE LIMIT SWITCH	250VAC 5A
OLS	OPEN LIMIT SWITCH	250VAC 5A

*EACH ACTUATOR SHOULD BE POWERED THROUGH IT'S OWN INDIVIDUAL SWITCH OR RELAY CONTACTS TO PREVENT CROSS FEED BETWEEN TWO OR MORE ACTUATORS.

PART NAME	DC WIRING DIAGRAM STANDARD(DC 24V)	
DWG. NO	HQ-840-B	
DATE	2004.12.01	ISSUE REF: B
HQ-006	ACTUATED SOLUTIONS LTD TEL: (01243) 827469 FAX: (01243) 829418	
HQ-004		
APPLICATION		