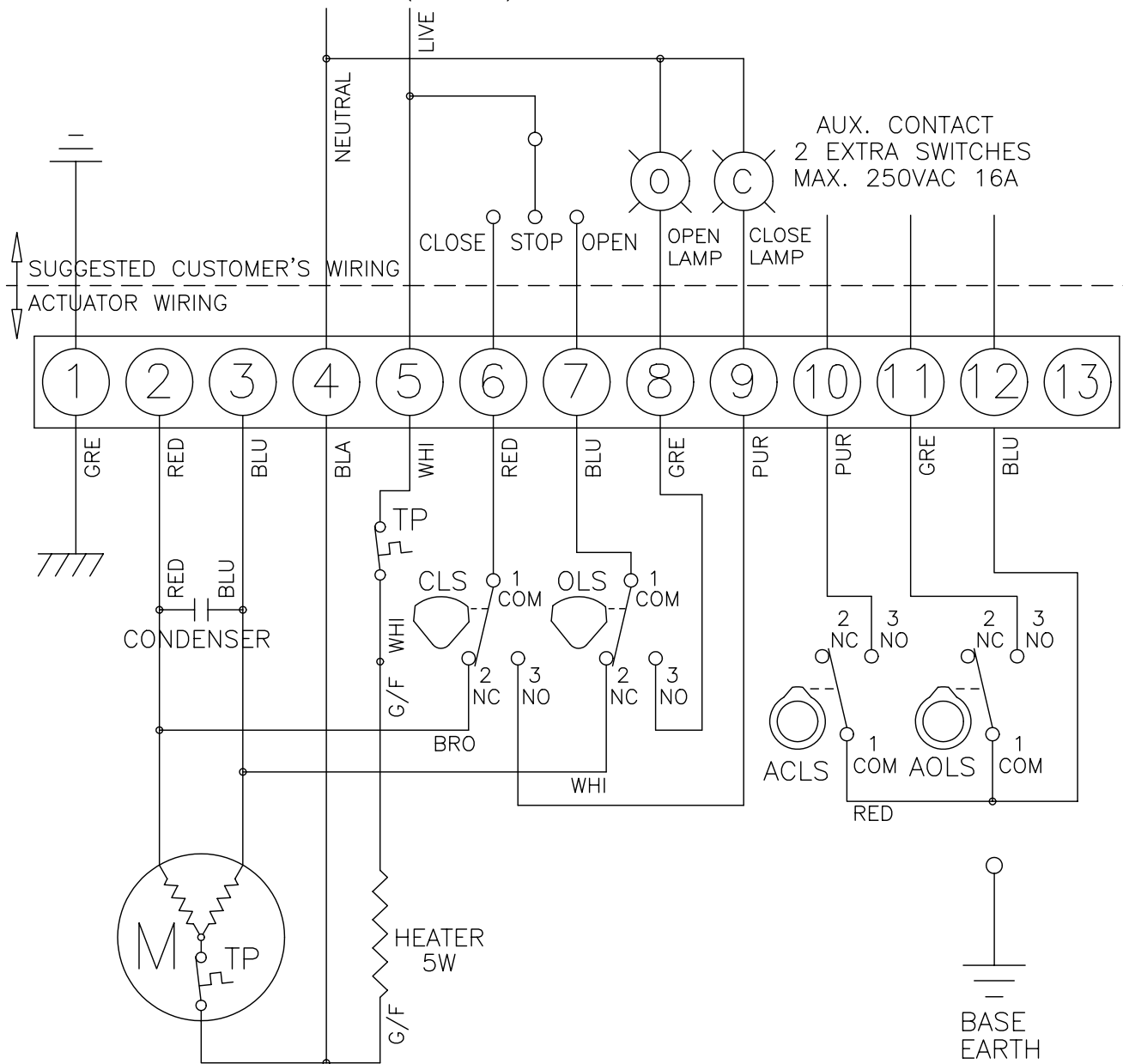


INCOMING POWER
AC 1PH (V)



TORQUE AND LIMIT SWITCH OPERATION

SWITCH	CLOSE ←	INTERMEDIATE	→ OPEN
CLS 1-2		████████████████████	████████████████████
CLS 1-3	████████████████████		
OLS 1-2	████████████████████		
OLS 1-3			████████████████████
ACLS 1-2		████████████████████	████████████████████
ACLS 1-3	████████████████████		
AOLS 1-2	████████████████████		
AOLS 1-3			████████████████████

SYMBOL	DESCRIPTION	RATING
CLS	CLOSE LIMIT SWITCH	250VAC 10A
OLS	OPEN LIMIT SWITCH	250VAC 10A
ACLS	AUX. CLOSE LIMIT SWITCH	250VAC 16A
AOLS	AUX. OPEN LIMIT SWITCH	250VAC 16A
TP	THERMAL PROTECTOR	250VAC 15A

*EACH ACTUATOR SHOULD BE POWERED THROUGH IT'S OWN INDIVIDUAL SWITCH OR RELAY CONTACTS TO PREVENT CROSS FEED BETWEEN TWO OR MORE ACTUATORS.

1 PHASE WIRING DIAGRAM
STANDARD

DWG. NO HQ-1200-A

DATE 20/12/2003 ISSUE REF: A

HQ-008
APPLICATION ACTUATED SOLUTIONS LTD
TEL: (01243) 827469
FAX: (01243) 829418

DOC : WD-01 1-09-2008