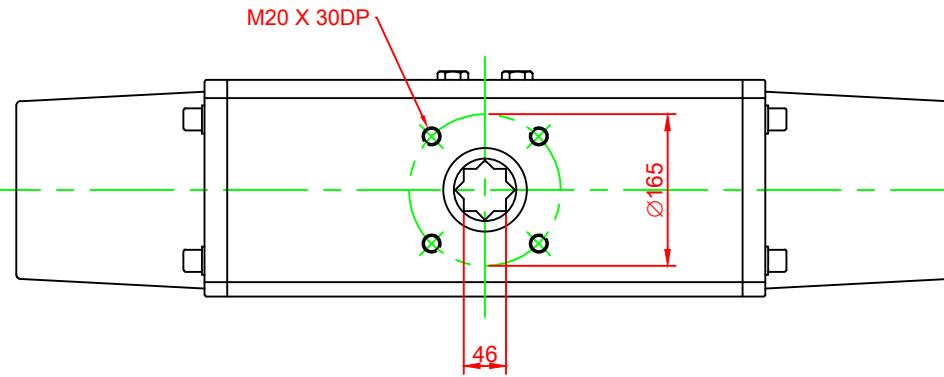
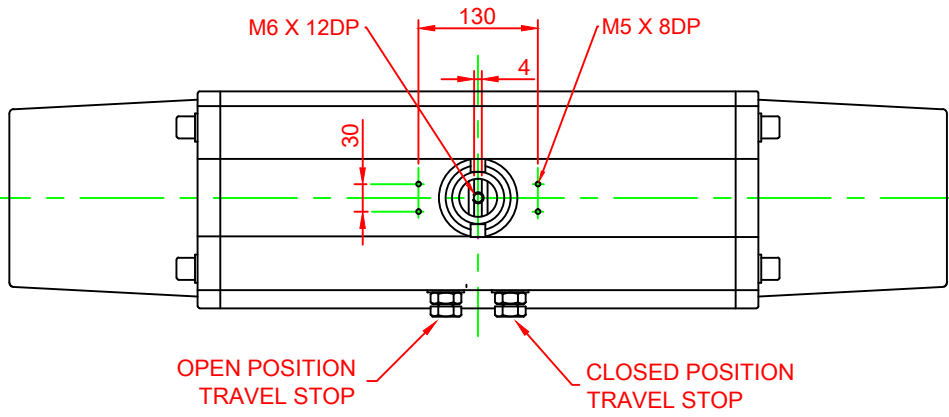
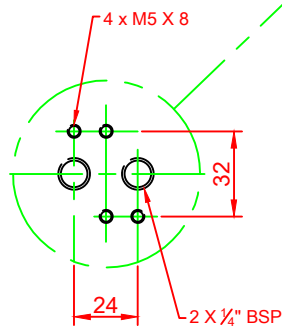
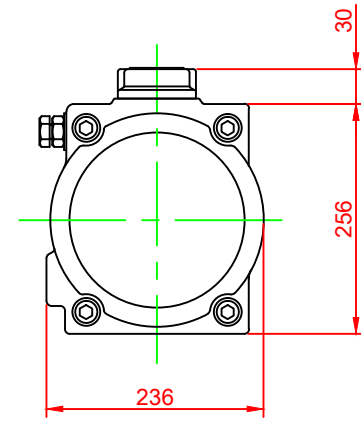
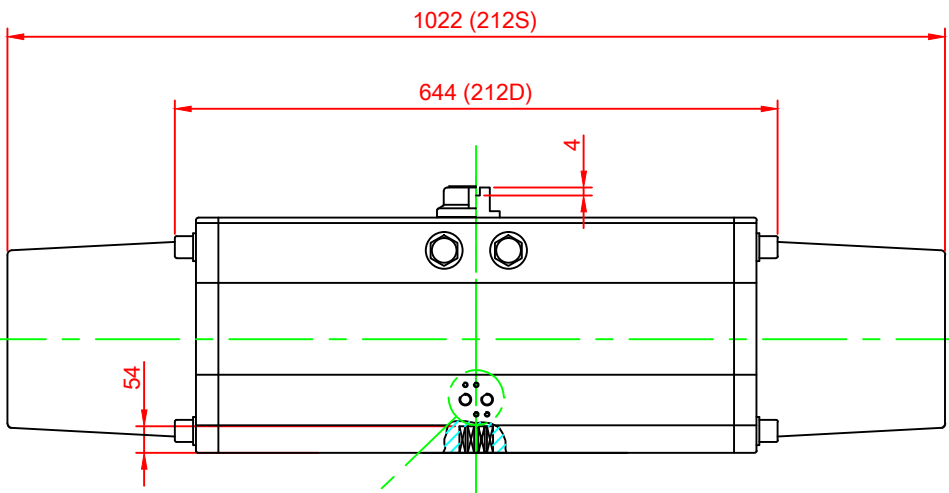


Top Flange acc. to VDI/
VDE 3845 (Namur)

Mounting Flange & Square
Drive to ISO5211



F14 BASE OPTION AVAILABLE



Solenoid Flange acc. to
VDI/VDE 3845 (Namur)