

Description:

Compact and lightweight electric actuators fitted to 2 way Flanged stainless steel ball valves suitable for standard process applications.

The HQ series electric actuators are available in a wide range of voltages and control options to suit your requirements.

High quality electrical components and alloy gearing ensure reliability and extended life span.

The ball valves are of 2 piece design and fitted with RPTFE seat. They are Full Bore and have PN16 Flanged ends.

Standard Actuator Specification:

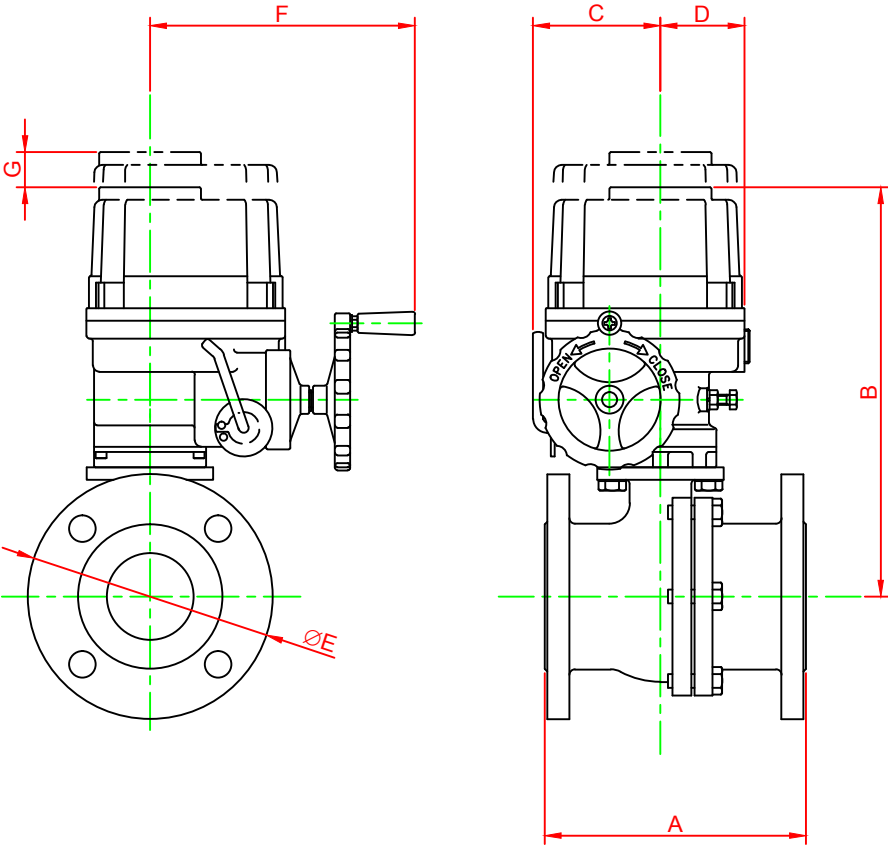
- Enclosure : Weatherproof IP67
- Power Supply : 110/220v 1PH, 380/440V AC 3PH
50/60Hz, 24vAC/DC
- Limit Switches : 4 x SPDT, 250V AC 10A
- Space Heater : 10W (110/220V AC)
- Manual Override : Declutchable
- Conduit Entries : 2 x M25
- Ambient Temperature : -20°C to +70°C
- External Coating : Dry Powder, Polyester

Standard Valve Specification:

- Body : 316 Stainless Steel
- Seat : RPTFE
- Stem Seal : PTFE
- Pressure Rating : Maximum 16 bar
- Temperature : -25°C to +200°C
- Ends : Flanged Connection-DIN 2501/BS4504

Options:

- Pneumatic Actuators
- Carbon Steel Valve Material
- Explosion Proof Enclosure ATEX II 2G Eexd II B T4
- Modulating Control
- Screw Ended Valves
- Larger valves
- Manual operation



Dimensions		Operating Time		Weight						
VALVE	ACTUATOR	A	B	C	D	E	F	G	Seconds - 50/60Hz	Kg
2 1/2"(65MM)	HQ-008	170	335	100	70	185	208	120	16/13	21
3" (80MM)	HQ-015	180	381	142	87	200	265	160	25/21	36
4" (100MM)	HQ-015	190	394	142	87	220	265	160	25/21	43